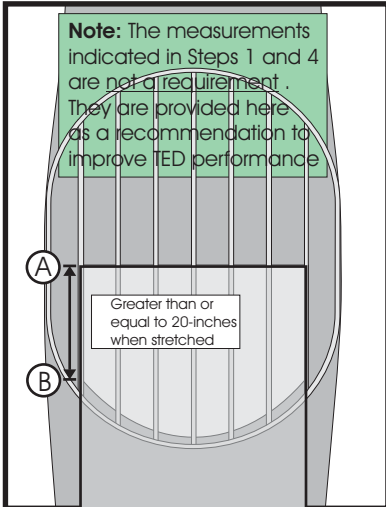


# Guide for Checking 44-inch inshore TED Opening

## Step 1

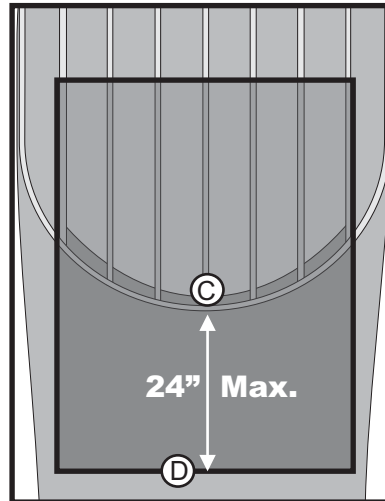


**Step 1**

Measure the distance from the TED frame forward along the side of the escape hole cut to the leading edge of the escape hole cut **A to B**.

The recommended measurement should be greater than or equal to **20-inches** when stretched.

## Step 2

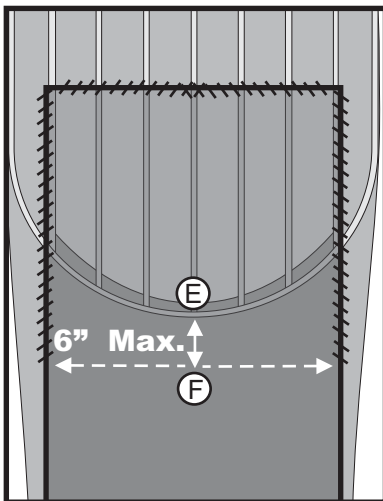


**Step 2**

Measure the distance from the posterior edge of the TED frame to the trailing edge of the flap **C to D**.

This measurement must be taken from the center of the frame and must not exceed **24-inches** as the TED is hanging (not stretched).

## Step 3

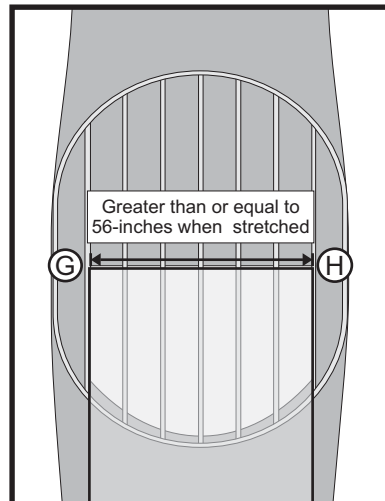


**Step 3**

Measure the distance the flap is attached beyond the posterior edge of the TED frame **E to F**.

This measurement must be taken from the center of the frame and must not exceed **6-inches** when the TED is hanging.

## Step 4



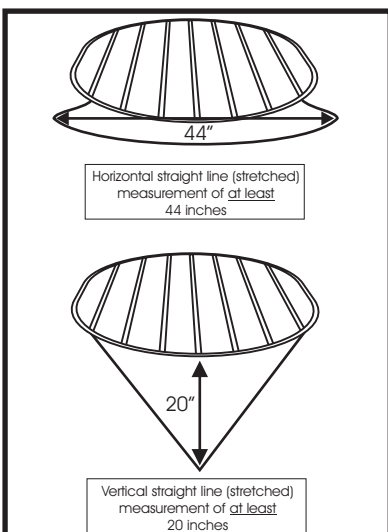
**Step 4**

Measure the leading edge of the escape hole cut **G to H**.

The recommended measurement should be greater than or equal to **56-inches** when stretched.

**Note:** This measurement must also be obtained with flap

## Step 5



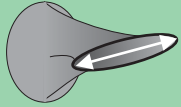
**Step 5**

**Measuring the 44-inch TED opening**

The required escape opening should measure at least 44-inches when stretched horizontally and at least 20 inches when stretched vertically.

These measurements should be taken separately.

**ACCELERATOR FUNNELS**



If an optional accelerator funnel is used with the above TED in inshore waters (other than inshore waters of Georgia or South Carolina), The accelerator funnel must have an inside horizontal opening with A straight-line stretched measurement of at least 44 inches.

This document provides instructions for measuring the 44-inch inshore escape opening for single-grid hard TEDs. Unless otherwise noted, all measurements are given in inches and apply to stretched mesh. The actual regulatory requirements are based on inches, not mesh size. These instructions summarize regulations at 50 C.F.R.223.207 (a) (7) (ii) (C), 223.207 (d) (2) (ii), and 223.207 (d) (3) (iii). It is the responsibility of the owners and vessel operators using these instructions to insure that their TEDs meet all regulatory requirements.

**National Marine Fisheries Service  
 TED Technology Transfer Program  
 P.O. Box 1207 Pascagoula, Mississippi 39568-1207  
 PH/ 228-762-4591**